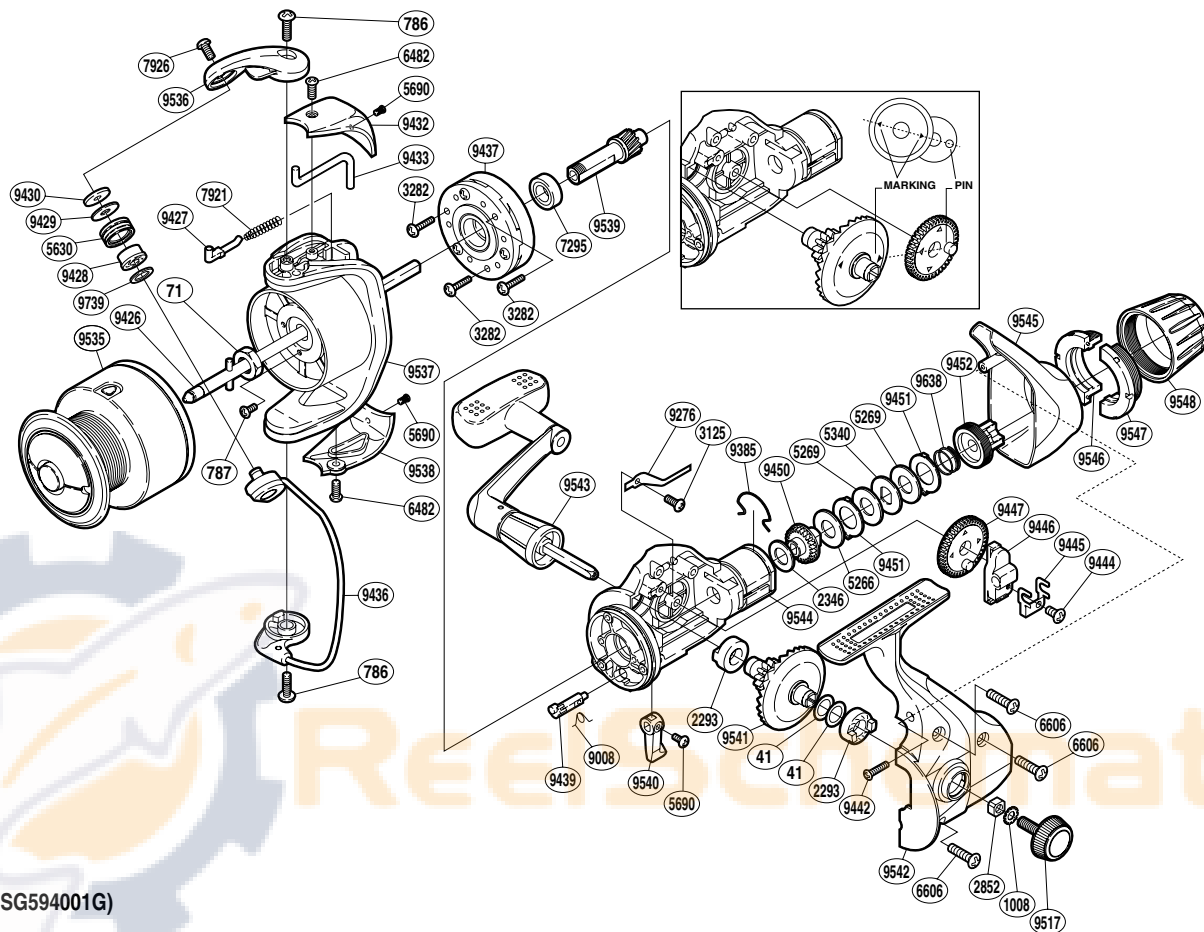


SHIMANO®

Alivio

ALV-4000RA



(1SG594001G)

| Part No. | Description | Part No. | Description | Part No. | Description |
|----------|-----------------------|----------|-----------------------------|----------|-------------------------|
| RD 0041 | Washer | RD 9008 | Anti-Reverse Cam Spring | RD 9452 | Pressure Screw |
| RD 0071 | Rotor Nut | RD 9276 | Drag Click | RD 9517 | Handle Screw Cap |
| RD 0786 | Screw | RD 9385 | Hold Click Spring | RD 9535 | Spool Assembly |
| RD 0787 | Screw | RD 9426 | Main Shaft | RD 9536 | Bail Arm |
| RD 1008 | Handle Lock Washer | RD 9427 | Bail Spring Guide | RD 9537 | Rotor |
| RD 2293 | Drive Gear Bushing | RD 9428 | Line Roller Bushing | RD 9538 | Bail Hold Support Guard |
| RD 2346 | Drag Washer C (cloth) | RD 9429 | Line Roller Spacer | RD 9539 | Pinion Gear |
| RD 2852 | Handle Screw Lock | RD 9430 | Line Roller Washer | RD 9540 | Anti-Reverse Lever |
| RD 3125 | Screw | RD 9432 | Bail Spring Cover | RD 9541 | Drive Gear |
| RD 3282 | Screw | RD 9433 | Bail Trip Lever | RD 9542 | Side Cover |
| RD 5266 | Drag Washer H (cloth) | RD 9436 | Bail Assembly | RD 9543 | Handle Assembly |
| RD 5269 | Drag Washer H (blue) | RD 9437 | Roller Clutch Assembly | RD 9544 | Body |
| RD 5340 | Key Washer A | RD 9439 | Anti-Reverse Cam | RD 9545 | Rear Protector |
| RD 5630 | Line Roller | RD 9442 | Screw | RD 9546 | Drag Programmer B1 |
| RD 5690 | Screw | RD 9444 | Slider Retainer Screw | RD 9547 | Drag Programmer B2 |
| RD 6482 | Screw | RD 9445 | Oscillating Slider Retainer | RD 9548 | Drag Programmer A |
| RD 6606 | Screw | RD 9446 | Oscillating Slider | RD 9638 | Drag Coil Spring |
| RD 7295 | Ball Bearing | RD 9447 | Oscillating Gear | RD 9739 | Bearing Spacer |
| RD 7921 | Bail Spring | RD 9450 | Drag Shaft | | |
| RD 7926 | Screw | RD 9451 | Eared Washer | | |